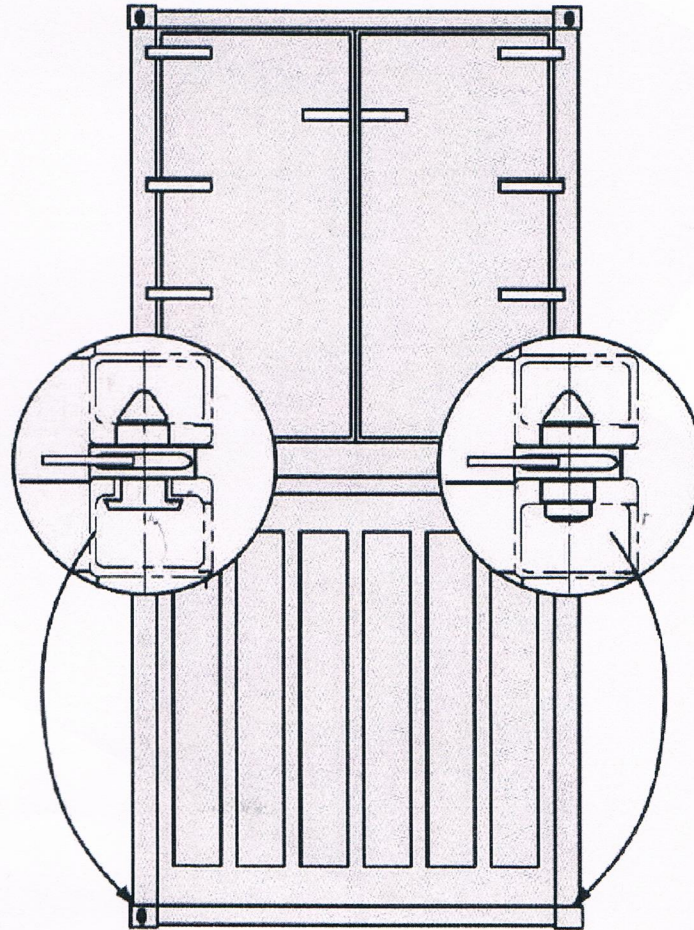


Material: Guance GGG-40 Cono 40Cr		
Finish:		
Weight: 6 Kg.		
Ref:	Scale:	
Date: 01.01.07	By: M.M.	
Replaces drawing:		Ref nr:
Replaced by drawing	Twistlock intermedio	CI-5-1



MODEL	Intermediate twistlock	
REFERENCE	CI-5-1	
WHEIGHT	6 KG	
DIMENSION	115×145×28	
MATERIAL	Forged steel - Ductile iron	
B.L.	50 T.	
	S.W.L.	25 T.
	FINISHED	Galvanized
	COUNTER PARTS	Between containers